

Removing internal assemblies

Fuser

WARNING!

Let the fuser assembly cool before removal.

- 1 If a duplexer is installed, remove it. If a duplexer is not installed, remove the tray 2 dust cover from the rear of the printer by pulling from the bottom.
- 2 Remove the rear cover/rear output bin (page 145).

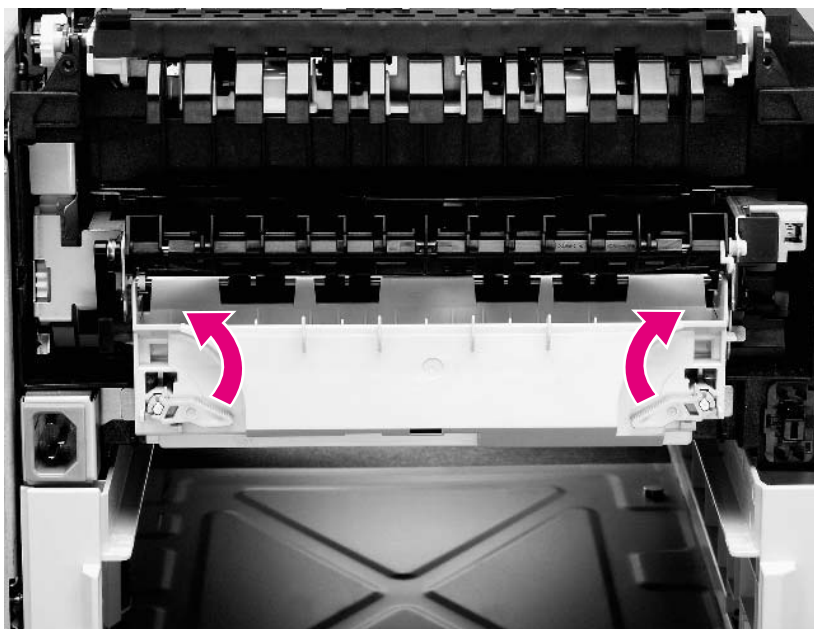


Figure 53. Unlocking the fuser assembly

- 3 Rotate the two blue levers on the fuser assembly up to the unlocked position.
- 4 Pull the fuser assembly straight out of the printer.

CAUTION

To prevent damage to the fuser assembly, do not grasp the fuser by the black plastic diverter.

Hint

When reinstalling the fuser assembly, be sure the blue levers are initially in the unlocked position. Make sure the fuser assembly is seated fully before rotating the blue levers down into the locked position.

Tray 1 pickup roller

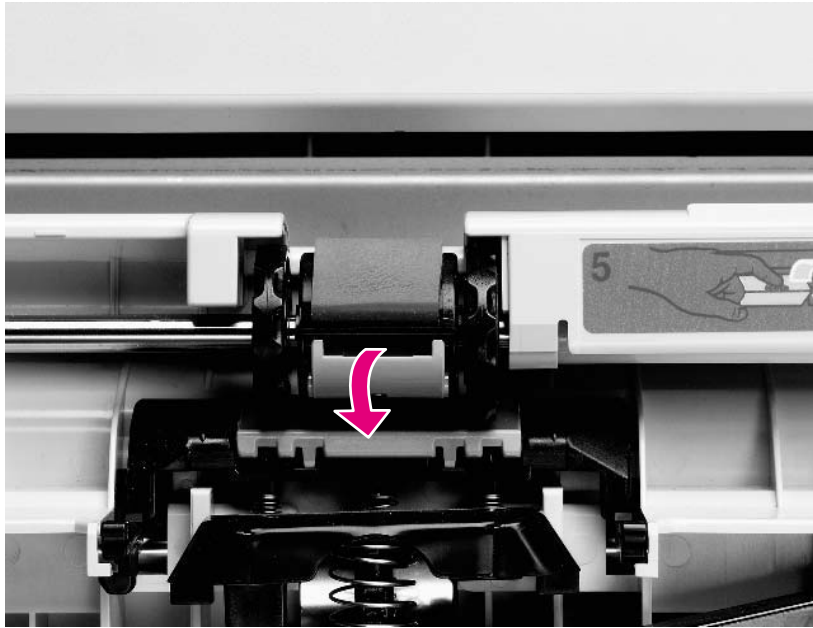


Figure 64. Removing the pickup roller (shown with envelope entrance cover removed)

- 1 Open tray 1. The tray 1 pickup roller is in the center of the tray 1 pickup assembly.
- 2 Grasp the envelope entrance cover directly above the pickup roller and pull it straight away from the printer.
- 3 Use a flat-blade screwdriver to pry open the blue latch on the roller.
- 4 Lift the roller out.

Hint To replace the roller, make sure the pin in the roller lines up with the hole in the shaft. Then, ensure the blue latch snaps securely in place.

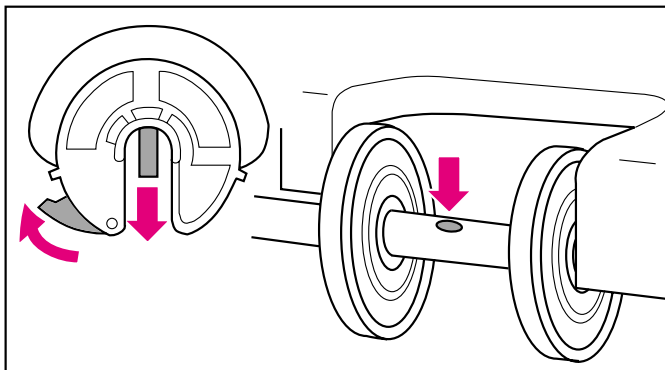


Figure 65. Installation of tray 1 pickup roller

Removing tray assemblies

Paper-feed rollers for trays 2, 3, and 4

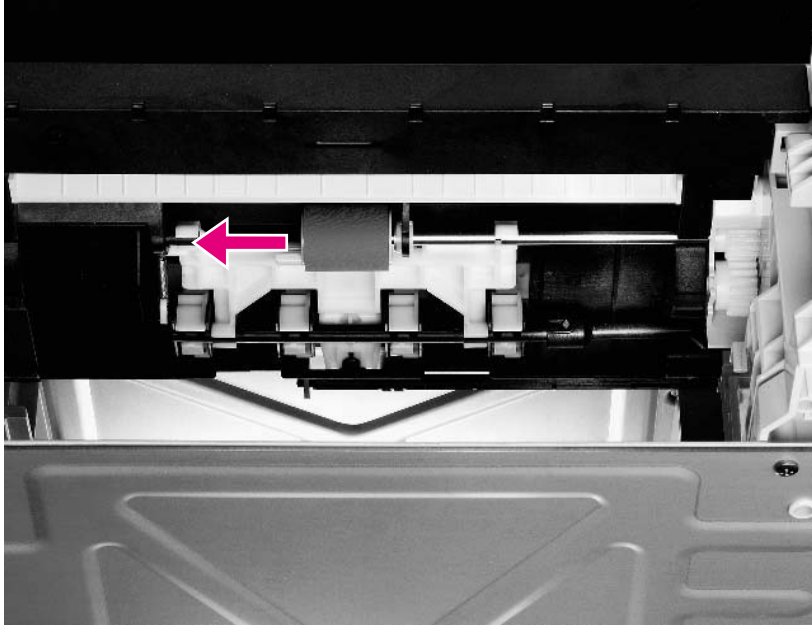


Figure 84. Removing the paper feed roller

- 1 Remove the paper tray(s) from the paper feeder(s). The paper-feed roller is inside the feeder, on top of the paper feeder assembly.
- 2 Pinch the release at the left side of the roller and slide it off the shaft.

Hint

When reinstalling the feed roller, ensure it locks into place. Otherwise, repeated paper jams might occur.

Separation rollers for trays 2, 3, and 4

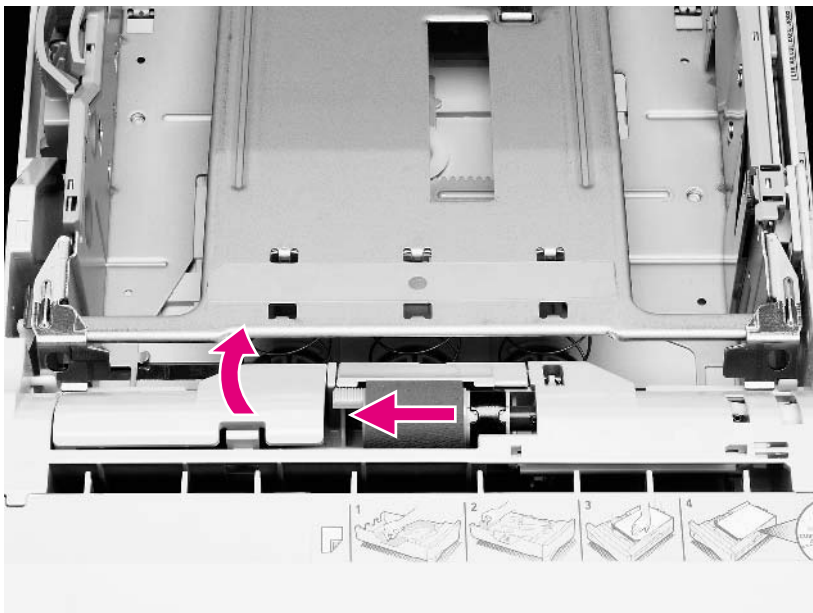


Figure 85. Removing the separation roller

The separation roller is inside the paper trays.

- 1 Release the latch and lift the access cover inside the tray.
- 2 Pinch the release at the left side of the roller and slide it off the shaft.

CAUTION

To prevent damage to the printer, ensure the access cover is securely locked into position.

Note

When reinstalling the separation roller, ensure it locks into place. Otherwise, repeated paper jams might occur.

Transfer roller

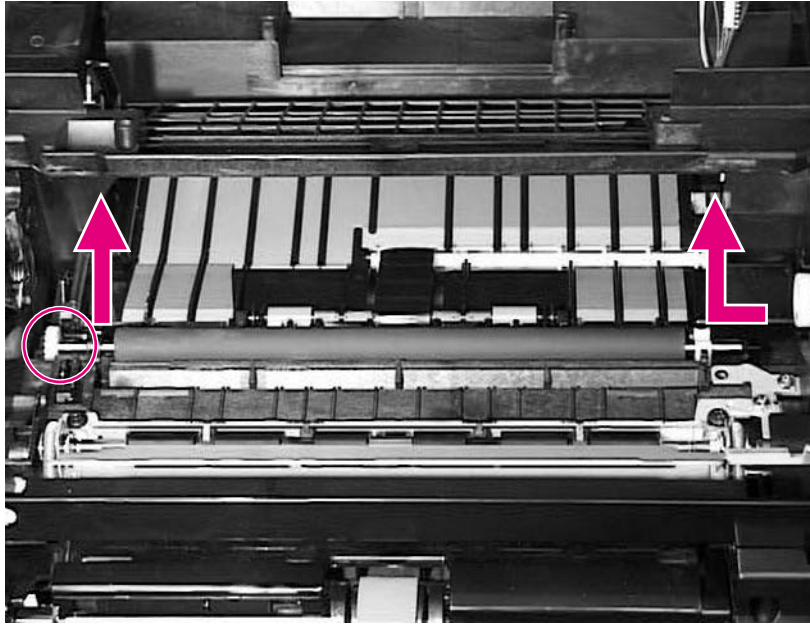


Figure 63. Removing the transfer roller

CAUTION

Do not remove the toner cartridge when the top cover interlock is overridden. Cartridge memory will be damaged.

CAUTION

To prevent damage to the toner cartridge, do not expose it to light for more than a few minutes.

- 1 Open the top cover and remove the toner cartridge. The transfer roller is underneath the toner cartridge.

CAUTION

Do not touch the black rubber part of the roller. Skin oils on the roller can cause problems with print quality. Use of gloves is recommended.

- 2 Using a flat-blade screwdriver, lift the left end of the metal shaft out of place near the blue gear. Slide the transfer roller to the left to remove.

Hint

When you install the transfer roller, make sure the black collar on the left side is oriented properly, with the open end down.