

Fuser

△ **CAUTION:** The fuser might be hot. Allow enough time for the fuser to cool after the product power is turned off.

📄 **NOTE:** The cartridge-door assembly should be in the closed position when the fuser is removed to make sure that the fuser-drive gear is correctly aligned for reinstallation.

1. Remove the following components:

- Right cover. See [Right cover on page 115](#).
- Left cover. See [Left cover on page 118](#).
- Rear cover, rear door, and duplex-paper-feed assembly. See [Rear cover, rear door, and duplex-paper-feed assembly on page 120](#).

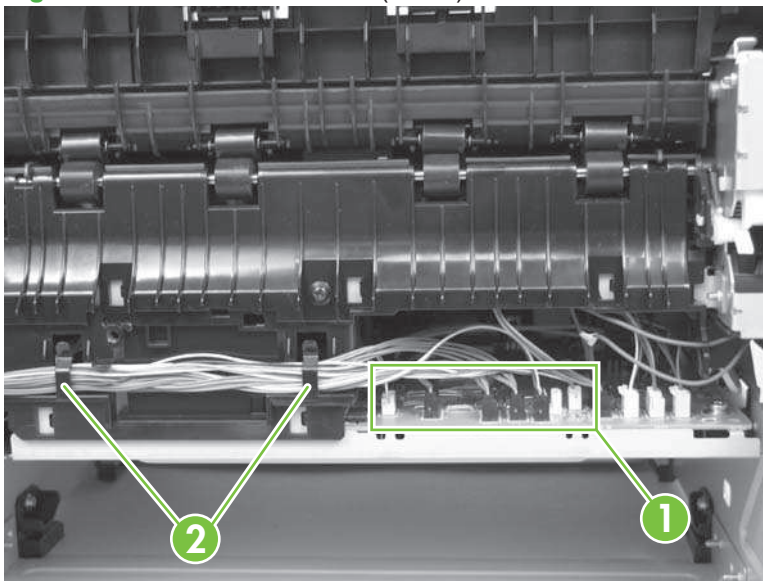
📄 **NOTE:** Only the HP LaserJet P2050 Series products have a duplex-paper-feed assembly installed.

- Reverse-sensor assembly. See [Reverse-sensor assembly; HP LaserJet P2050 Series on page 142](#).

📄 **NOTE:** Only the HP LaserJet P2050 Series products have a reverse-feed sensor installed.

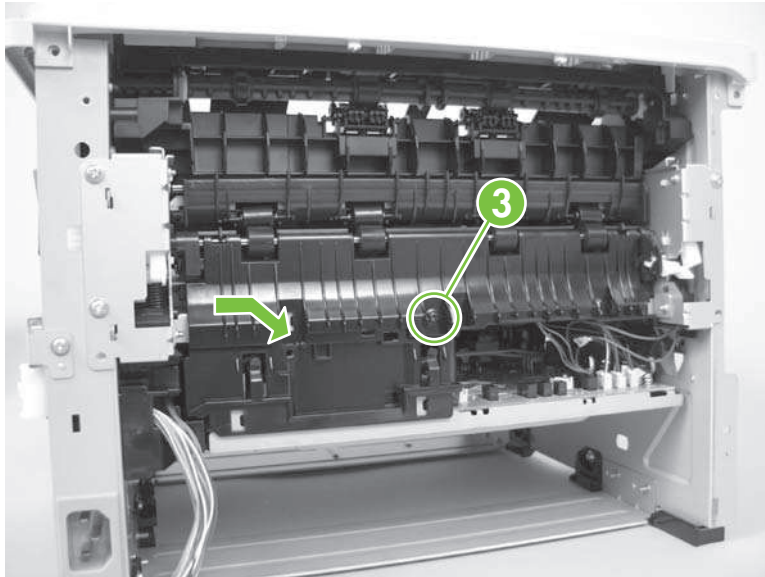
2. Disconnect six connectors (callout 1), and then release the wire harnesses from the guide (callout 2).

Figure 6-88 Remove the fuser (1 of 7)



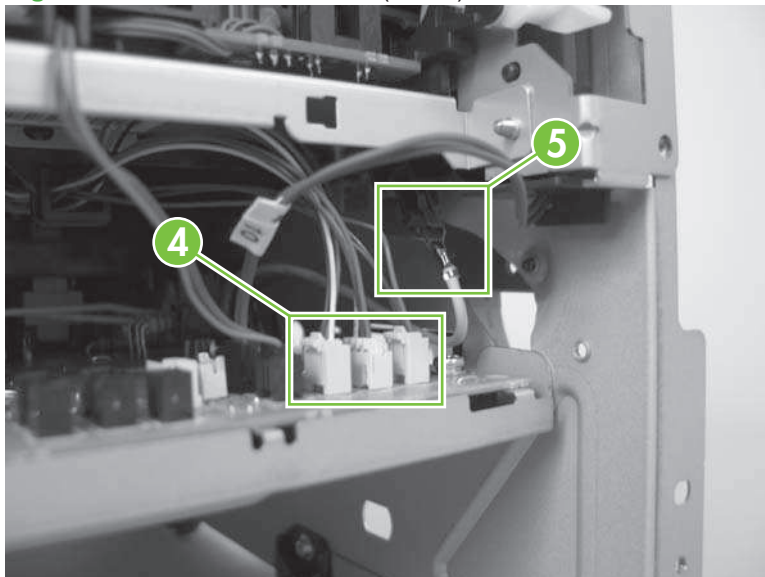
3. Remove one screw (callout 3), and then slide the media-feed guide toward the formatter side of the product to remove it.

Figure 6-89 Remove the fuser (2 of 7)



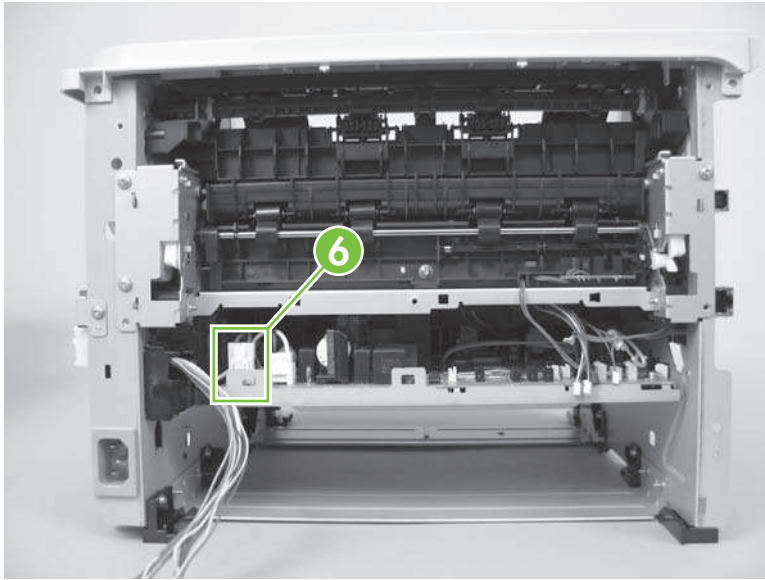
4. Disconnect three connectors (callout 4) and one ground connector (callout 5).

Figure 6-90 Remove the fuser (3 of 7)



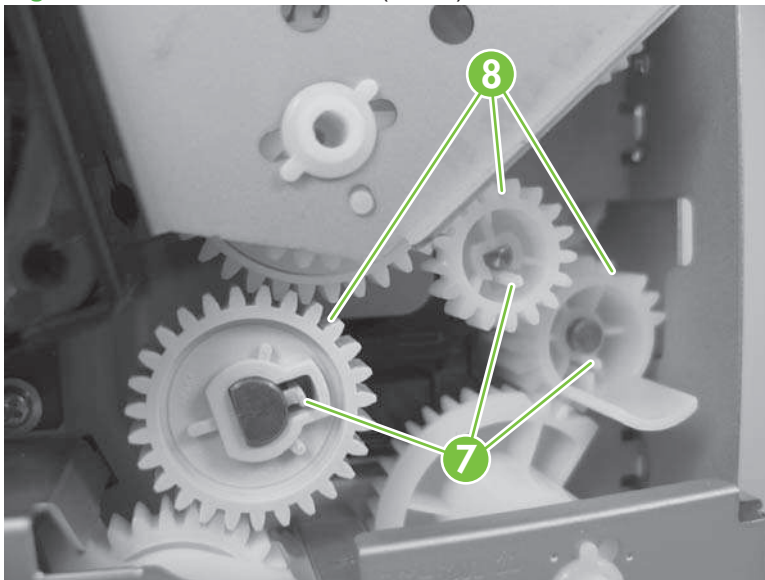
5. Disconnect one connector (callout 6).

Figure 6-91 Remove the fuser (4 of 7)



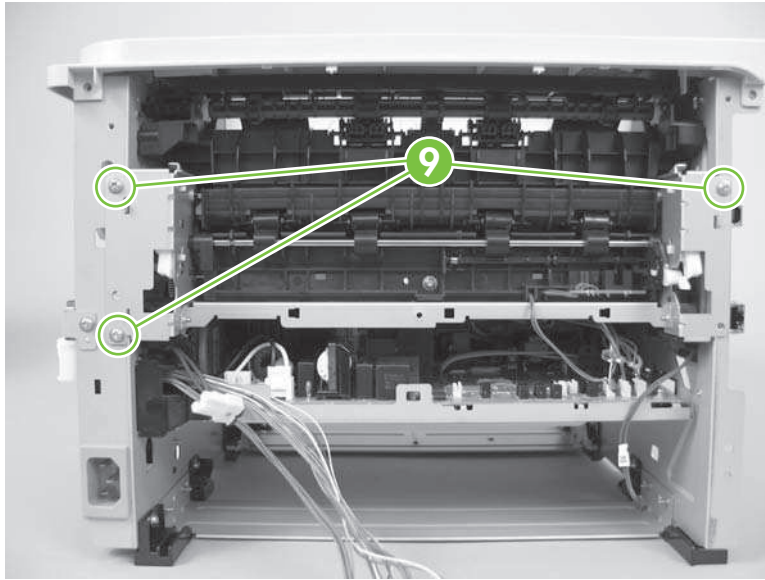
6. Release three tabs (callout 7), and then remove three gears (callout 8).

Figure 6-92 Remove the fuser (5 of 7)



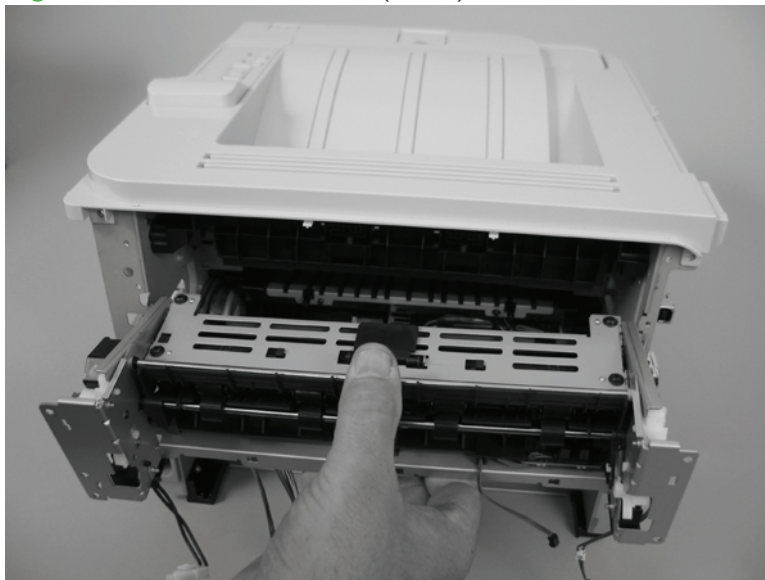
7. Remove three screws (callout 9).

Figure 6-93 Remove the fuser (6 of 7)



8. Carefully remove the fuser.

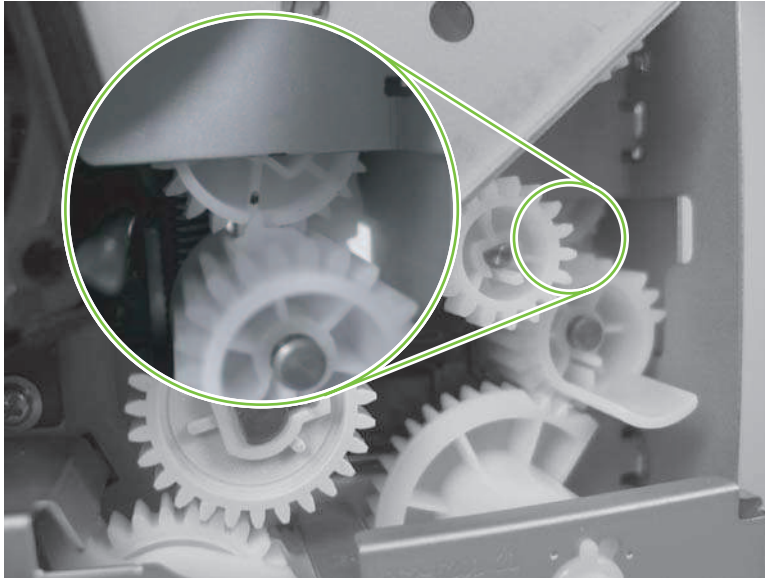
Figure 6-94 Remove the fuser (7 of 7)



Reinstall the fuser

1. The drive gears must be correctly aligned when the fuser is reinstalled or replaced. The gears are keyed and can only be installed when they are correctly aligned.

Figure 6-95 Reinstall the fuser (1 of 2)



2. Make sure that the ground connector is correctly fastened and fully seated on the connector lug.

Figure 6-96 Reinstall the fuser (2 of 2)



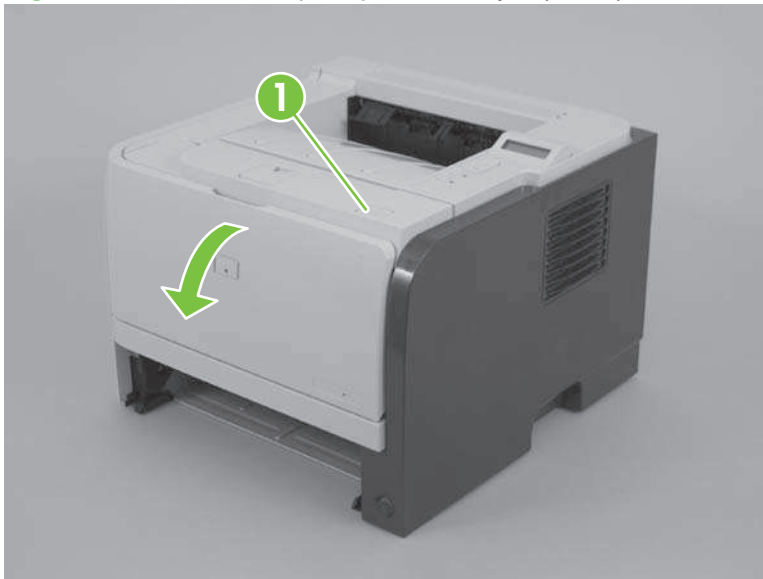
Rollers and pads

Pickup roller; Tray 1

△ **CAUTION:** Do not touch the roller surface unless you are replacing the roller. Skin oils on the roller can cause paper pickup problems.

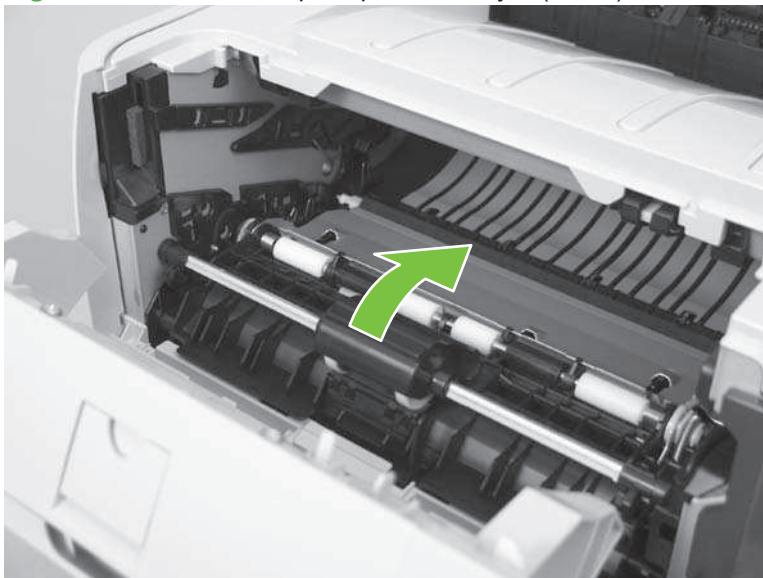
1. Press the print-cartridge door button (callout 1), and then open the print-cartridge door.

Figure 6-4 Remove the pickup roller; Tray 1 (1 of 5)



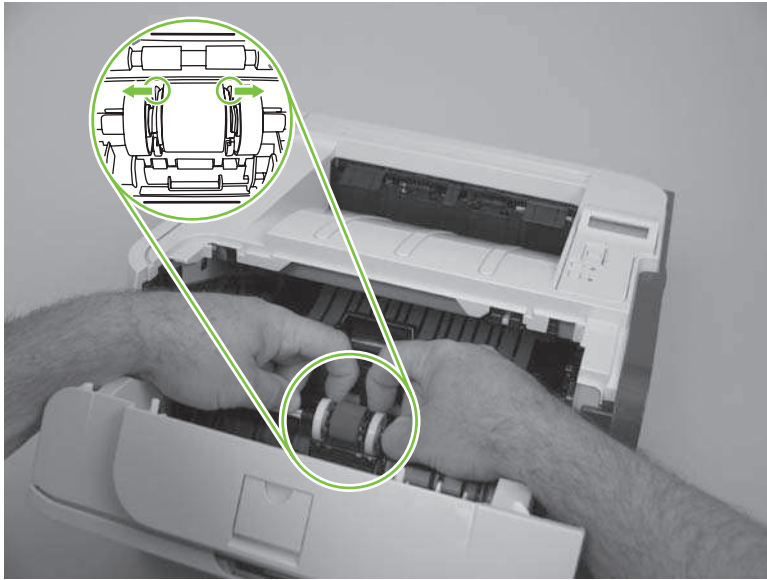
2. Rotate the roller cover up and away from the roller assembly.

Figure 6-5 Remove the pickup roller; Tray 1 (2 of 5)



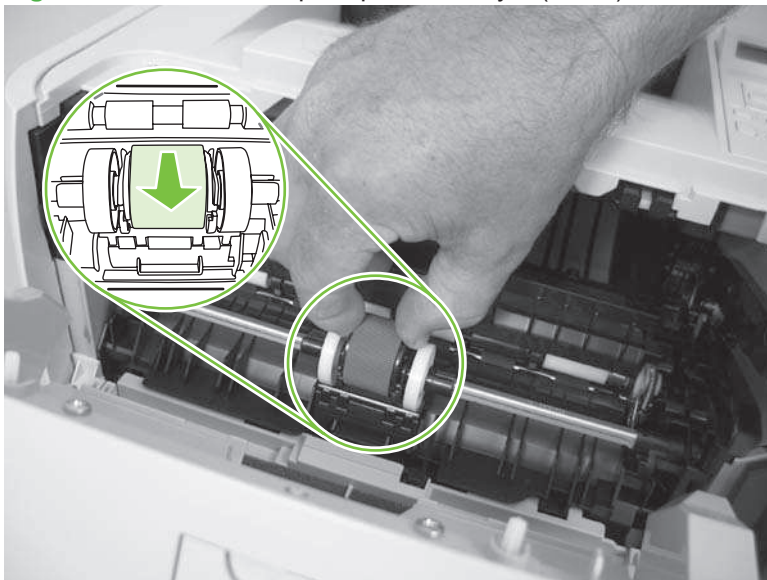
3. Release two tabs.

Figure 6-6 Remove the pickup roller; Tray 1 (3 of 5)



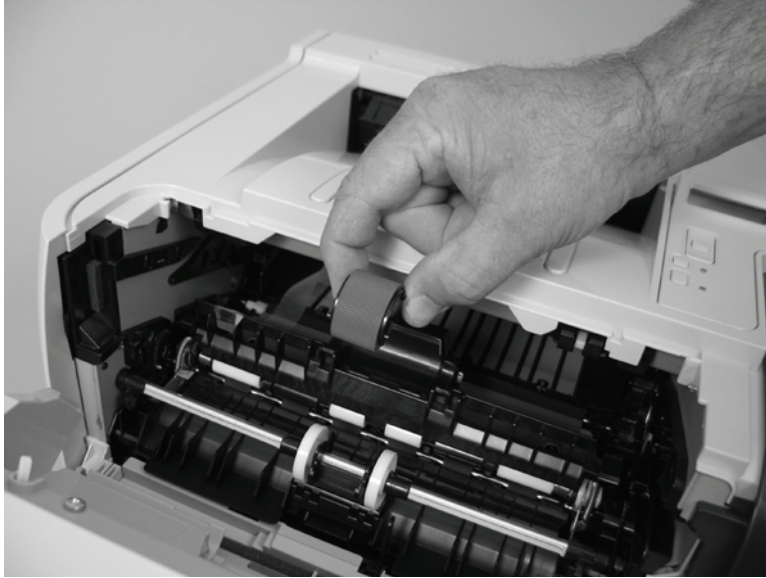
4. Rotate the pickup roller away from the product.

Figure 6-7 Remove the pickup roller; Tray 1 (4 of 5)



5. Remove the pickup roller.

Figure 6-8 Remove the pickup roller; Tray 1 (5 of 5)



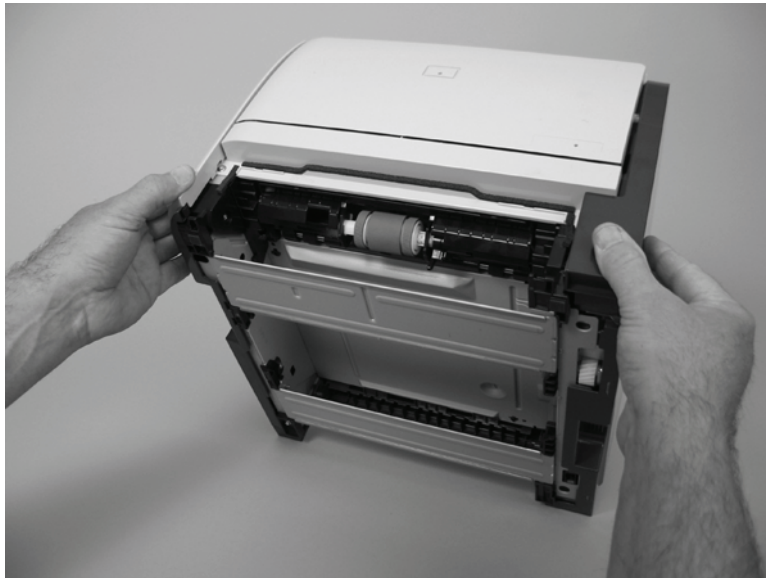
Pickup roller assembly; Tray 2

△ **CAUTION:** Do not touch the roller surface unless you are replacing the roller. Skin oils on the roller can cause paper-pickup problems.

1. If the Tray 2 cassette has not yet been removed to service the product, remove the cassette. See [Tray 2 cassette on page 103](#).
2. Carefully place the product front-side up.

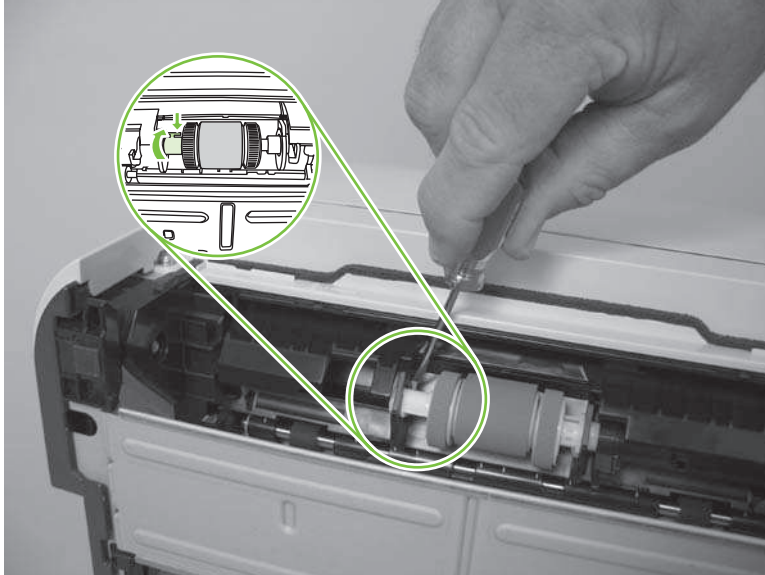
📄 **NOTE:** Debris can scratch or damage the back of the product. Before you place the product front-side up, remove any debris from the work surface. If possible, set the product on a clean, dry cloth to prevent scratching and damage.

Figure 6-9 Remove the pickup roller assembly; Tray 2 (1 of 5)



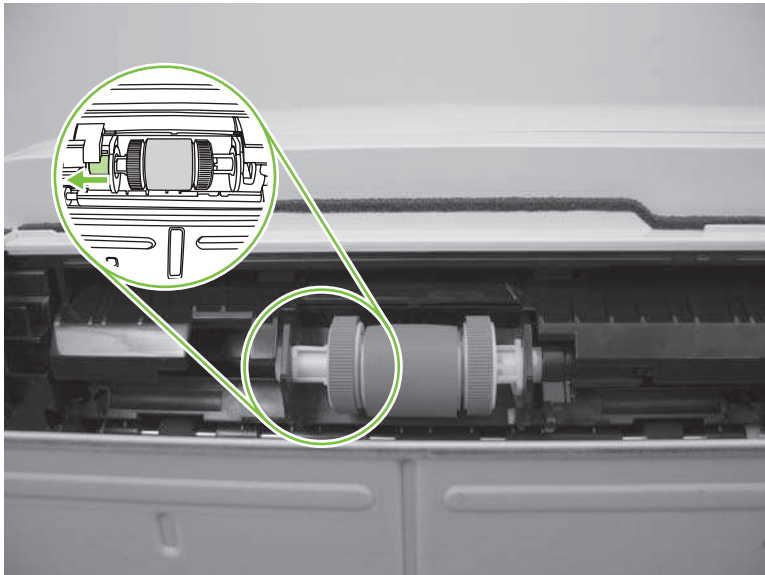
3. Use a small flat blade screwdriver to release one tab (callout 1), and then rotate the locking collar toward the inside of the product.

Figure 6-10 Remove the pickup roller assembly; Tray 2 (2 of 5)



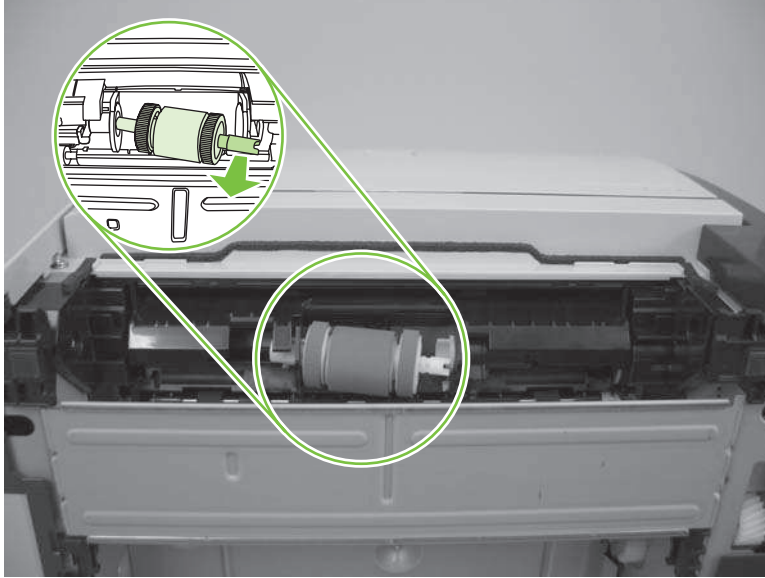
4. Slide the collar away from the rollers.

Figure 6-11 Remove the pickup roller assembly; Tray 2 (3 of 5)



5. Rotate the drive end of the roller assembly out and away from the product.

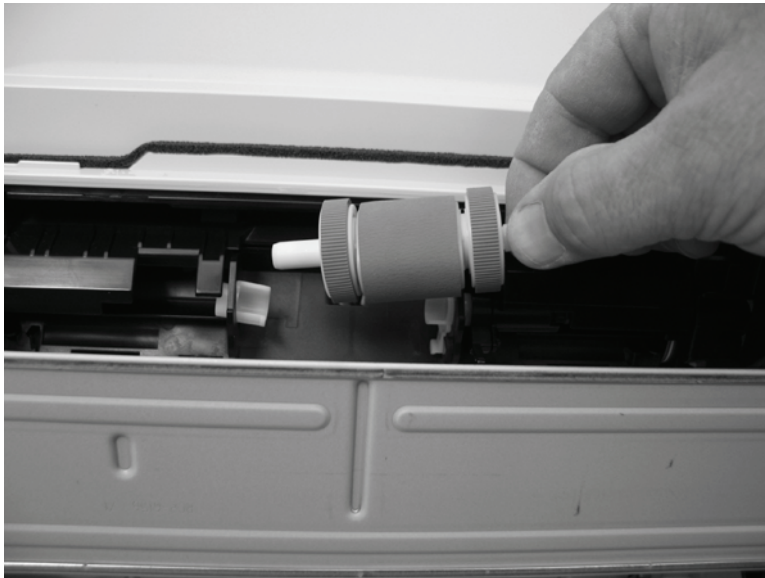
Figure 6-12 Remove the pickup roller assembly; Tray 2 (4 of 5)



6. Remove the pickup roller.

△ **CAUTION:** The two rollers on the end of the assembly are not captive and can slip off of the roller shaft. Do not lose the rollers when you remove the assembly.

Figure 6-13 Remove the pickup roller; Tray 2 (5 of 5)

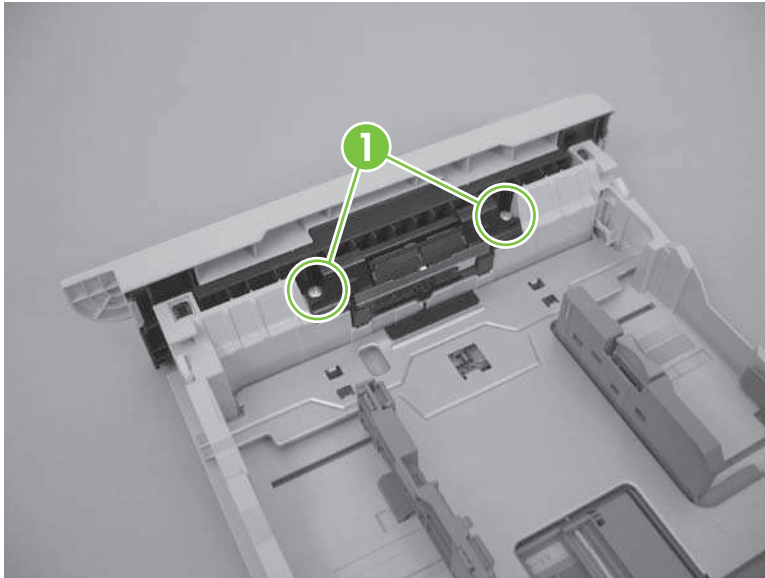


Separation-pad assembly; Tray 2

△ **CAUTION:** Do not touch the pad surface unless you are replacing the pad. Skin oils on the pad can cause paper-pickup problems.

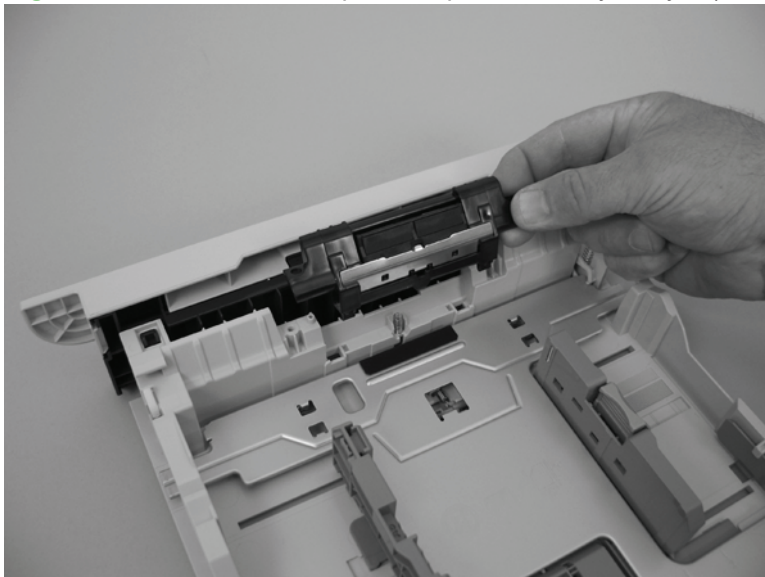
1. If the Tray 2 cassette has not yet been removed to service the product, remove the cassette. See [Tray 2 cassette on page 103](#).
2. Remove two screws (callout 1)

Figure 6-14 Remove the separation-pad assembly; Tray 2 (1 of 2)



3. Remove the separation-pad assembly.

Figure 6-15 Remove the separation-pad assembly; Tray 2 (2 of 2)



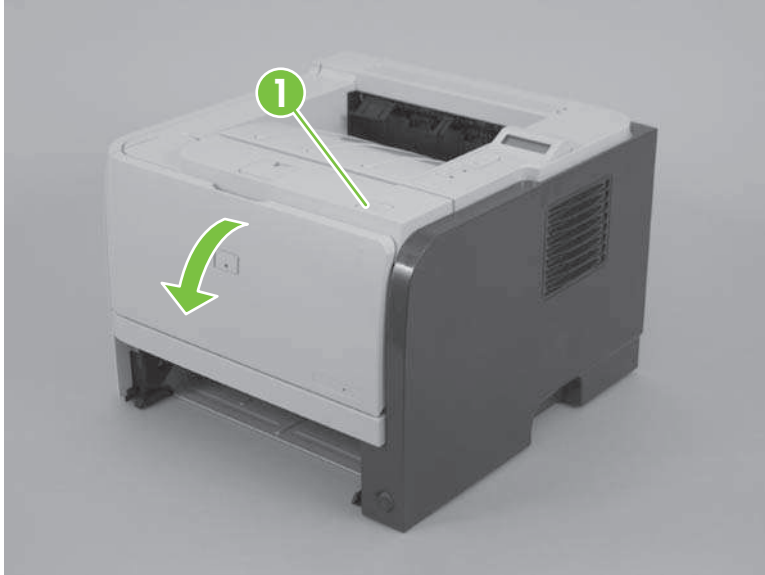
Transfer roller

- △ **CAUTION:** Do not touch the sponge surface of the roller unless you are replacing the roller. Skin oils on the roller can cause print-quality problems.

Always wear latex gloves when handling a transfer roller for reinstallation or replacement.

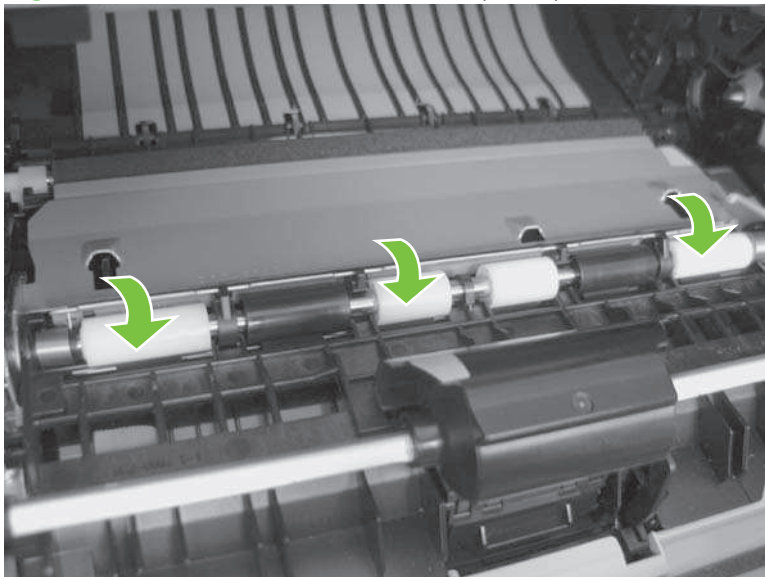
1. Press the print-cartridge door button (callout 1), and then open the print-cartridge door.

Figure 6-16 Remove the transfer roller (1 of 5)



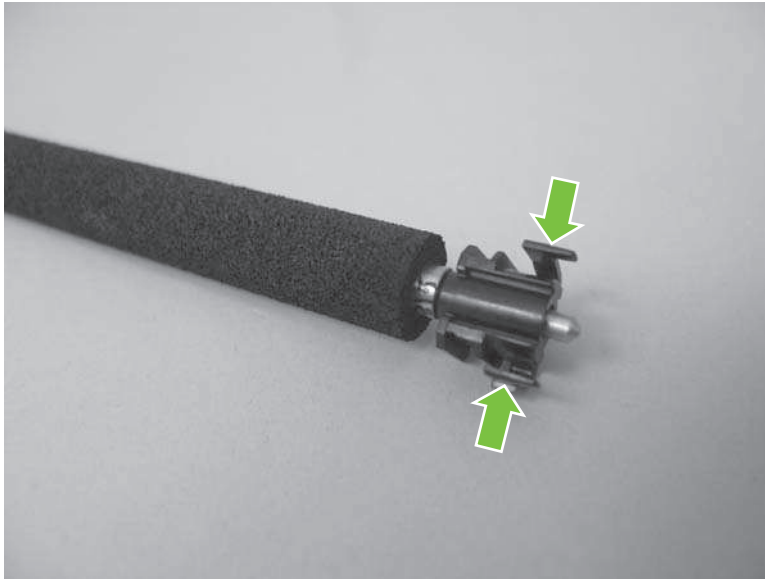
2. Use your finger to raise the sheet-metal flap, and then rotate it toward the Tray 1 pickup roller cover.

Figure 6-17 Remove the transfer roller (2 of 5)



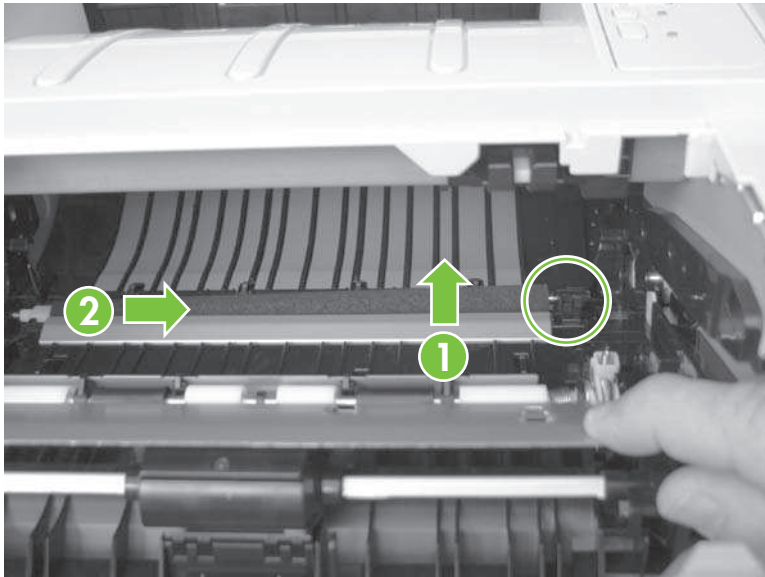
3. Before you proceed, note the location of the two tabs on the transfer-roller right-side locking clip.

Figure 6-18 Remove the transfer roller (3 of 5)



4. Release two tabs on the right-side locking clip, lift the roller up, and then slide it toward the right side of the product to release the left end of the shaft.

Figure 6-19 Remove the transfer roller (4 of 5)



5. Remove the transfer roller.

△ **CAUTION:** The black locking clip on the right side of the transfer-roller shaft is not captive. Do not lose the locking clip when you remove the transfer roller.

Figure 6-20 Remove the transfer roller (5 of 5)

